

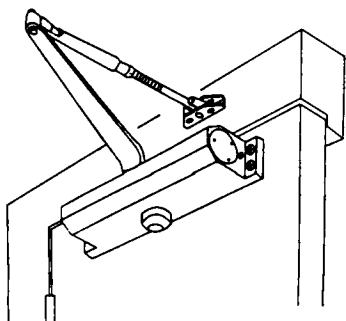


# #WC200 DOOR CLOSER

## INSTALLATION INSTRUCTIONS NO HOLD-OPEN

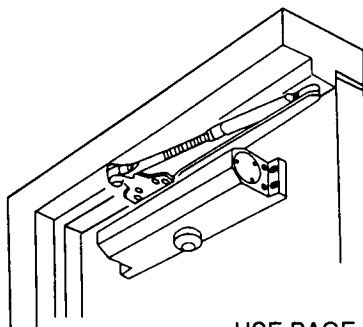
SELECT PROPER APPLICATION FROM ILLUSTRATIONS BELOW  
--THEN FOLLOW INSTALLATION INSTRUCTIONS ON GIVEN PAGE

**STANDARD APPLICATION**  
CLOSER MOUNTED ON HINGE  
SIDE OF DOOR



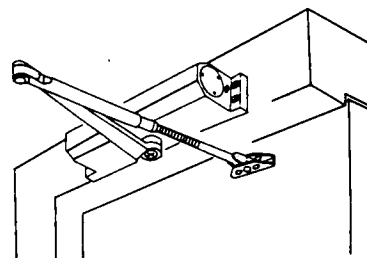
USE PAGE 2  
RIGHT HAND DOOR SHOWN

**PARALLEL ARM APPLICATION**  
CLOSER MOUNTED ON STOP SIDE  
OF DOOR



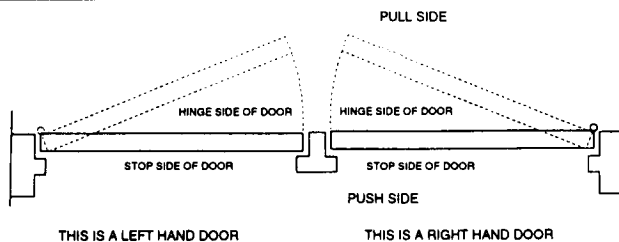
USE PAGE 3  
LEFT HAND DOOR SHOWN

**TOP JAMB APPLICATION**  
CLOSER MOUNTED ON  
FRAME ON STOP SIDE OF  
DOOR



USE PAGE 4  
LEFT HAND DOOR SHOWN

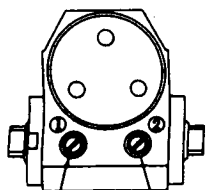
### CHART TO DETERMINE HAND OF DOOR



### FINAL ADJUSTMENT AND REGULATING PROCEDURES

#### REGULATING DOOR SPEED AND LATCHING SPEED

Turn speed regulating valve clock-  
wise to slow down—or counter clock-  
wise to speed up door movement.

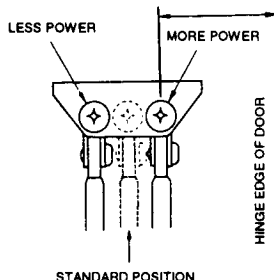


THIS VALVE  
CONTROLS  
DOOR SPEED

THIS VALVE  
CONTROLS  
LATCHING SPEED

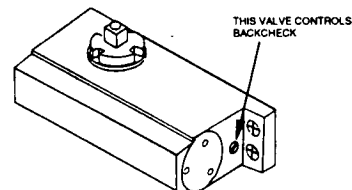
#### ADJUSTING FOOT FOR CLOSING POWER

Move foot pivot to hole as illustrated  
below.



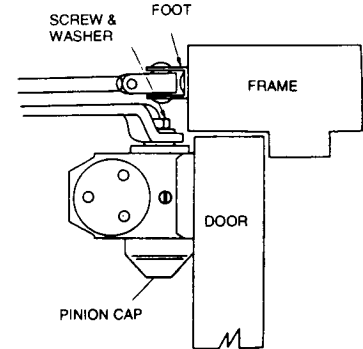
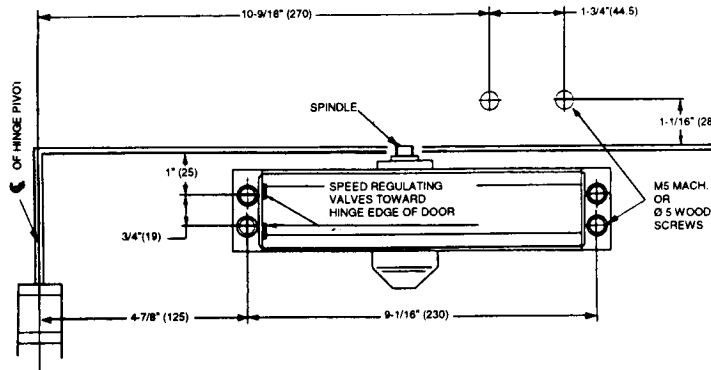
#### FOR MODELS HAVING BACK- CHECK.

The intensity of backcheck action is  
regulated by valve as shown. Turn  
clockwise to increase—or counter  
clockwise to decrease checking.  
**CAUTION:** Set valve for a slight  
cushioning effect. It is damaging to  
the closer if the checking action is too  
abrupt. Backcheck should never be  
used in lieu of a door stop.

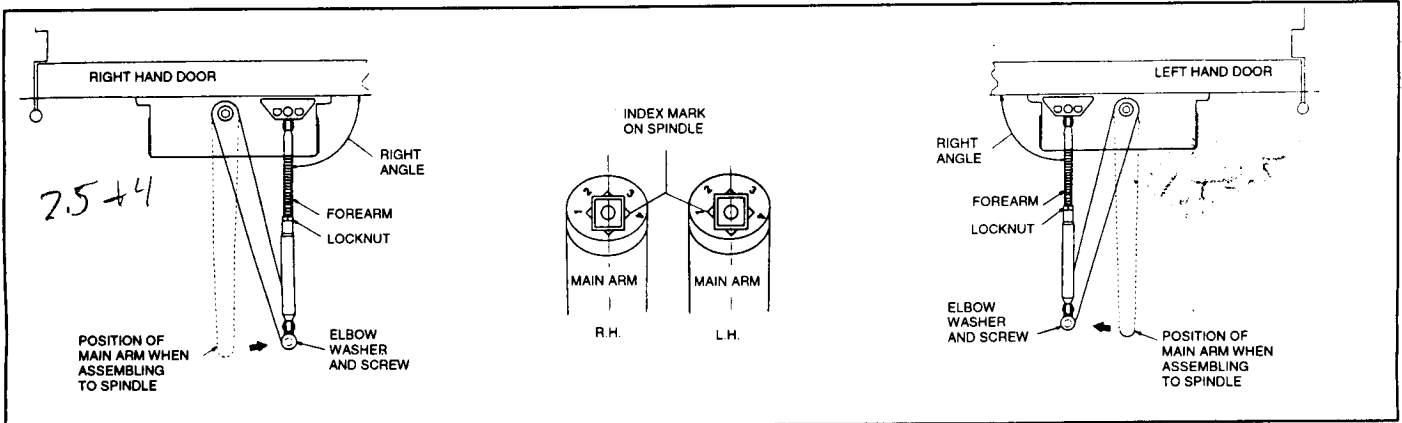


THIS VALVE CONTROLS  
BACKCHECK

RIGHT HAND ILLUSTRATED  
SAME DIMENSIONS APPLY FOR  
LEFT HAND DOOR – MEASURED  
FROM HINGE CENTERLINE

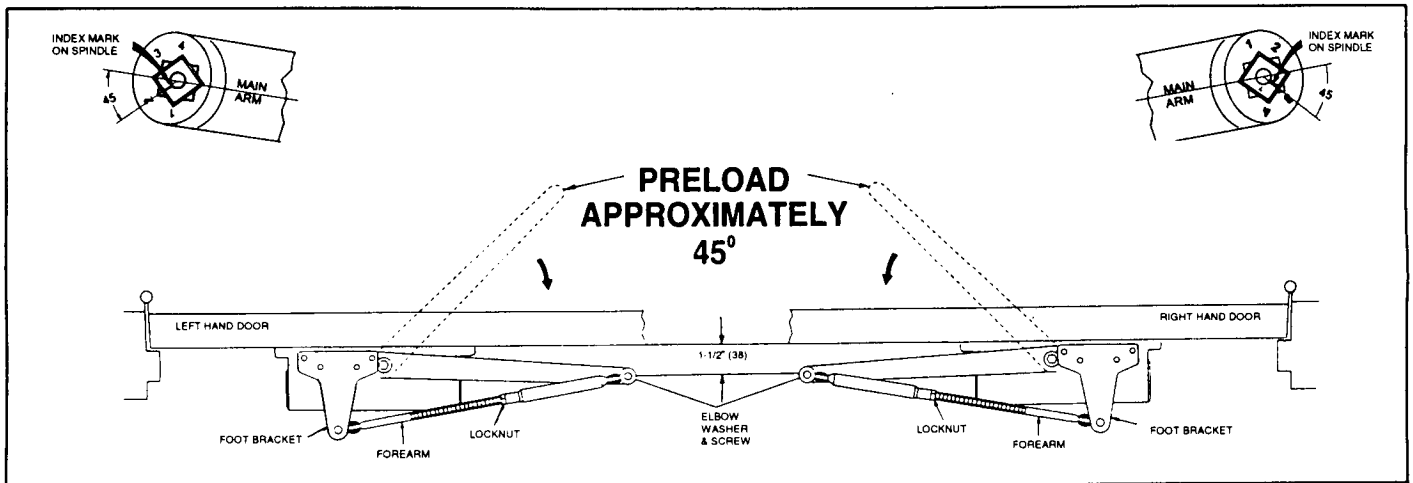
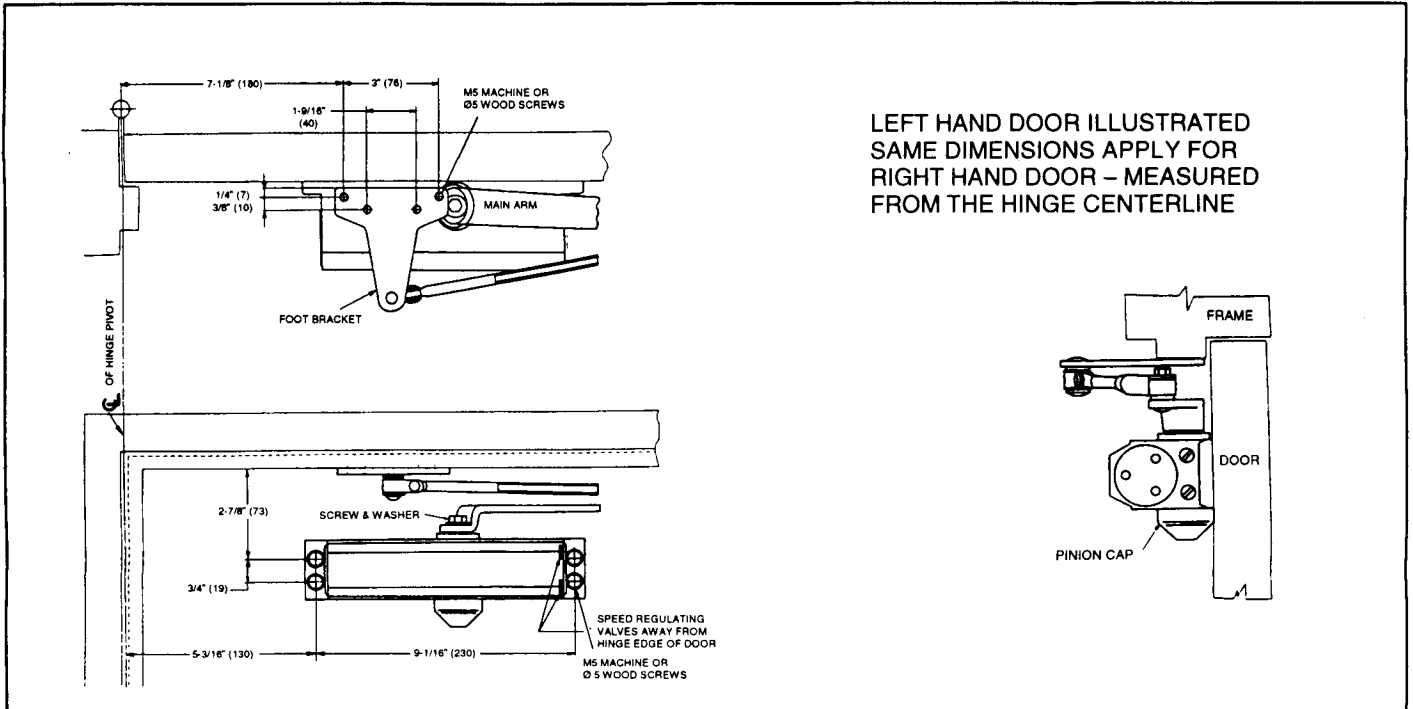


POSITION OF ARMS AND INDEX SETTINGS



INSTALLATION INSTRUCTIONS

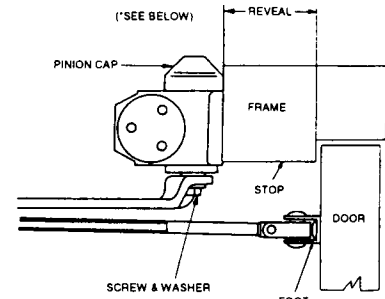
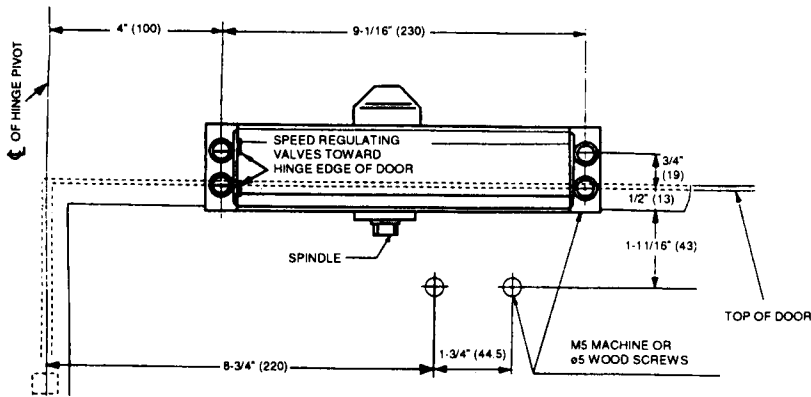
1. Use template or dimensions shown in illustration above to mark location of attaching screws on door and frame. Prepare holes and use appropriate screws provided. **CAUTION:** Do not drill holes all the way through door.
2. Assemble main arm to closer. NOTE: The snug fit between closer and arm at the spindle may require the use of a hammer. Rest opposite end of spindle on a firm surface. Align index mark on spindle with arm as illustrated above. Tap lightly to assemble. Use washer and screw to retain arm.
3. Attach closer to door with speed regulating valves toward hinge.
4. Attach the foot of the forearm to frame.
5. Adjust length of forearm to position forearm at right angle to frame when connected to main arm at elbow. Use washer and screw provided to secure pivot connection. Tighten locknut on forearm.
6. Snap pinion cap over spindle at bottom of closer.
7. Snap closer cover over closer body.



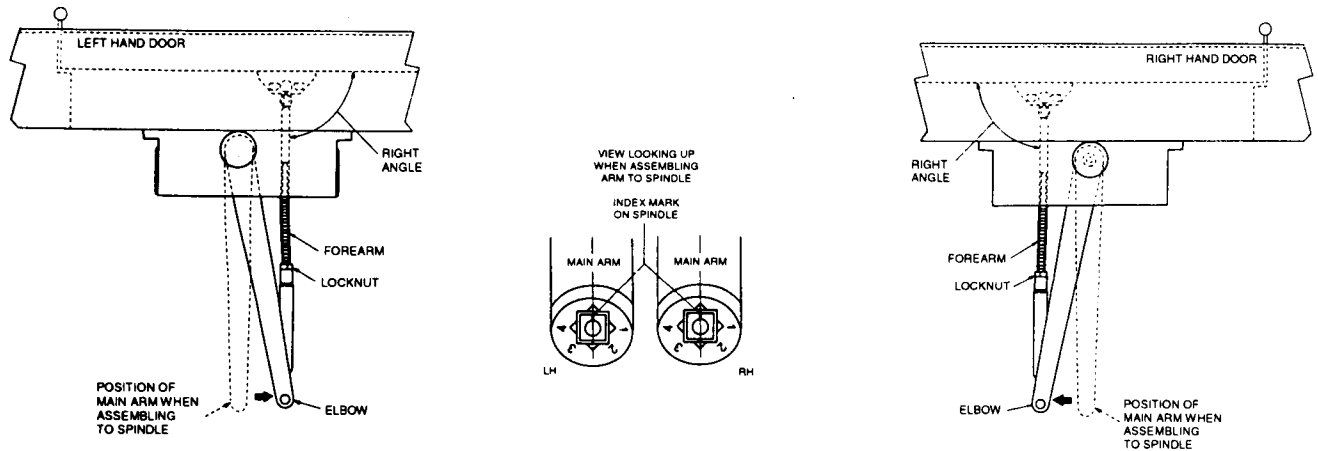
**INSTALLATION INSTRUCTIONS**

1. Use dimensions shown in illustration above to mark location of attaching screws on door and frame. Prepare holes and use appropriate screws provided. **CAUTION:** Do not drill holes all the way through door.
2. Assemble main arm to closer. NOTE: The snug fit between closer and arm at the spindle may require the use of a hammer. Rest opposite end of spindle on a firm surface. Align index mark on spindle with number on arm as illustrated above. Tap lightly to assemble. Use washer and screw to retain arm.
3. Close off both door and latching speed valves. Rotate main arm approximately 90°. Attach closer to door with speed regulating valve away from hinge before arm (which is slowly rotating) contacts the door. Readjust valves for normal closing speed.
4. Attach foot bracket to frame.
5. Remove foot type shown on page 2 from forearm assembly and attach forearm to foot bracket using washer and screw illustrated above.
6. Adjust length of forearm to position elbow pivot 1-1/2" away from door when forearm assembly is connected to main arm. Use washer and screw provided to secure pivot connection. Tighten locknut on forearm.
7. Snap pinion cap over spindle at bottom of closer.
8. Snap closer cover over closer body.

LEFT HAND DOOR ILLUSTRATED  
SAME DIMENSIONS APPLY FOR  
RIGHT HAND DOOR – MEASURED  
FROM HINGE CENTERLINE



POSITION OF ARMS AND INDEX SETTINGS



INSTALLATION INSTRUCTIONS – FOR REVEALS UP TO 2-3/4"

1. Use dimensions shown in illustration above to mark location of attaching screws on door and frame. Prepare holes and use appropriate screws provided. **CAUTION:** Do not drill holes all the way through door.
2. Assemble main arm to closer. NOTE: The snug fit between closer and arm at the spindle may require the use of a hammer. Rest opposite end of spindle on a firm surface. Align index mark on spindle with arm as illustrated above. Tap lightly to assemble. Use washer and screw to retain arm.
3. Attach closer to frame with speed regulating valves toward hinge.
4. Attach the foot of the forearm to the door.
5. Adjust length of forearm to position forearm at right angle to door when connected to main arm at elbow. Use washer and screw provided to secure pivot connection. Tighten locknut on forearm.
6. Snap pinion cap over spindle at top of closer.
7. Snap closer cover over closer body.